

## Technical Datasheet

### Features

- compact and easy to use
- USB powered
- PC display and analog output
- logging and data export
- wide input power range

The WaveEye is a highly accurate and very compact wavemeter. The innovative internal design makes it faster, easier to operate and much smaller than competing products. The input light can be CW and quasi-CW laser-light or incoherent light with a narrow spectrum. Wavelength data is available at a 1kHz data rate, with no warm-up delay.

The WaveEye is operated with a USB cable via the supplied software interface or via text-based commands. In addition, the wavelength information is available as a voltage at the analog output.

Due to its extremely small size, the WaveEye is

ideally suited as an OEM component, e.g. in tunable lasers, as part of a larger measurement device and in a wide range of other applications.



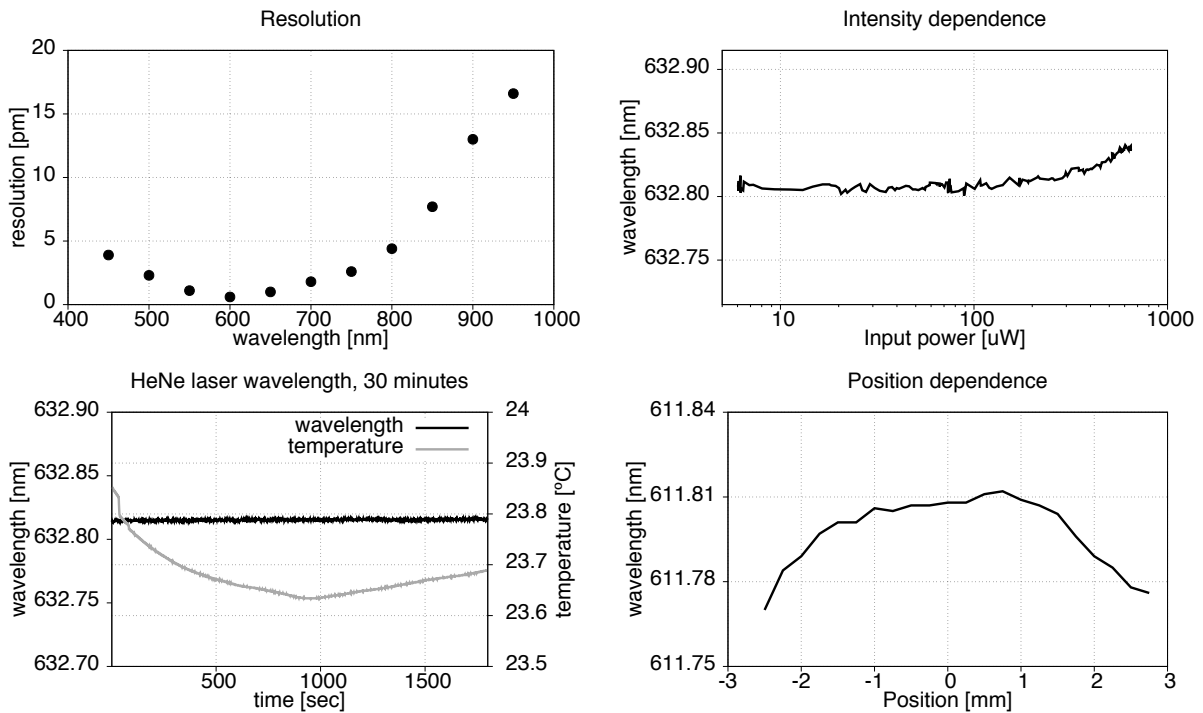
### Applications

- characterization of diode lasers
- integration into tunable lasers
- spectroscopy
- gas detection
- characterization of detectors and other test equipment

## Specifications

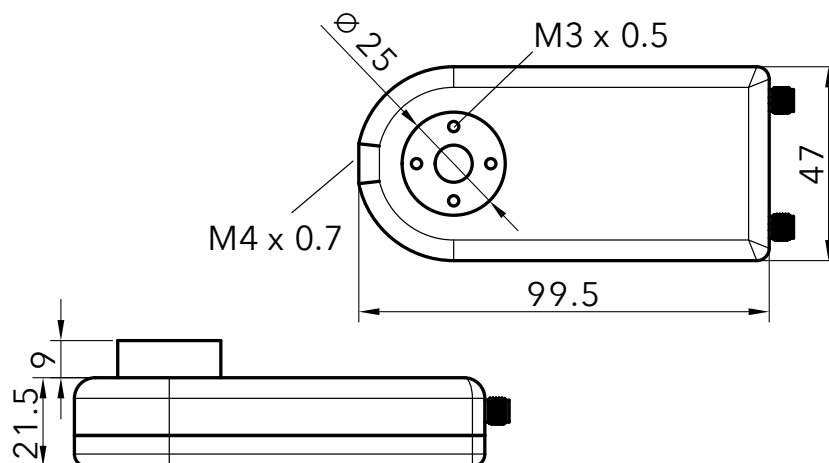
spectral range	450 to 950 nm
resolution	2 pm @ 700 nm
accuracy, factory calibration	± 100 pm
accuracy, user calibration	± 20 pm
input power range	0.1 $\mu$ W to 1 mW
max. input spectrum	1 nm
max. data rate	1 kHz
analog output range	0 to 4.096 V
analog resolution	16 bits
temperature range	18 to 32 °C

## Characteristics



## Dimensions

All dimensions shown in mm.



## Contact

WaveEye UG (haftungsbeschränkt)

[www.waveeye.eu](http://www.waveeye.eu)

Specifications are subject to change without notice.